

Super-rapid fittings Series X6000 in Stainless Steel 316L

Tube external diameters: 4, 6, 8, 10, 12 mm
 Fittings threads: BSP (G1/8, G1/4, G3/8, G1/2),
 BSPT (R1/8, R1/4, R3/8, R1/2)



Series X6000 fittings range in Stainless Steel 316L allows the connection of fluids even in aggressive environments. The collet ensures excellent grip between the fitting and the tubing.

Series X6000 fittings are suitable for applications in the pneumatics, fluids, chemical, medical, food and packaging industries.

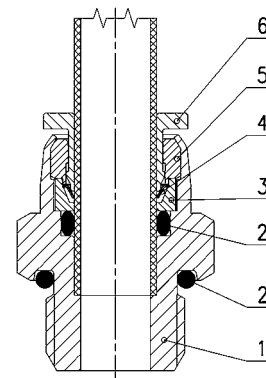
4

CONNECTION

GENERAL DATA

Materials	1 = Body	Stainless steel 316L
	2 = Seals	FKM Alimentary
	3 = Supporting ring	Stainless steel 316L
	4 = Clamping gripper	Stainless steel 301
	5 = Locking bushing	Stainless steel 316L
	6 = Release bushing	Stainless steel 316L
Threads	GAS conical ISO 7 (BSPT)	
	GAS cylindrical ISO 228 (BSP)	
Pressure	max 18 bar (see tubing)	
Tube to connect	PA 6-12, Rilsan PA11, Polyethylene, PU, Polyester Hytre	
Diameters	4 - 6 - 8 - 10 - 12 mm	
Fluid	compressed air and drinking water (for other fluids, please contact our technicians)	
Temperature	-15°C + 100°C (see data for tubing used)	

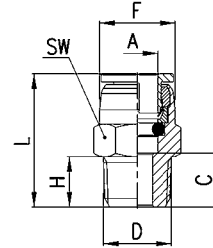
Fitting with connection tube



Fittings Mod. X6510

New

BSPT Male Connector

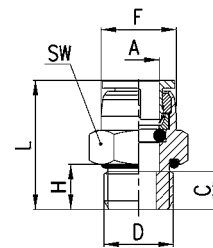


DIMENSIONS									
Mod.	A	C	D	F	H	L	SW	Weight (g)	Package
X6510 4-1/8	4	8	R1/8	9,9	8	20,5	10	9	10
X6510 4-1/4	4	8	R1/4	9,9	8	18,4	14	15	10
X6510 6-1/8	6	7,5	R1/8	11,9	8	21	12	10	10
X6510 6-1/4	6	9	R1/4	11,9	10	22,5	14	17	10
X6510 8-1/8	8	8	R1/8	15	8	24	15	16	10
X6510 8-1/4	8	10	R1/4	15	10	26	15	20	10
X6510 10-1/4	10	11	R1/4	17,4	10	28	19	28	10
X6510 10-3/8	10	12	R3/8	17,4	11	29	19	35	10
X6510 10-1/2	10	14	R1/2	17,4	13	31	22	55	10
X6510 12-1/4	12	12,5	R1/4	20	10	31,5	22	42	10
X6510 12-3/8	12	12,5	R3/8	20	11	31,5	22	44	10
X6510 12-1/2	12	13,5	R1/2	20	13	32,5	22	59	10

Fittings Mod. X6512

New

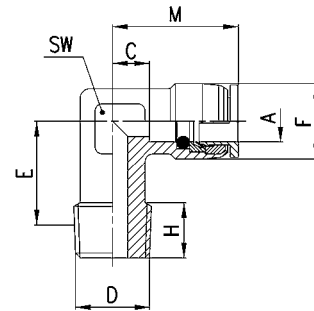
BSP Male Connector



DIMENSIONS									
Mod.	A	C	D	F	H	L	SW	Weight (g)	Package
X6512 4-1/8	4	5,5	G1/8	9,9	5,7	18	14	11	10
X6512 4-1/4	4	5,7	G1/4	9,9	5,7	18,1	14	18	10
X6512 6-1/8	6	5,5	G1/8	11,9	5,7	19	14	12	10
X6512 6-1/4	6	5,5	G1/4	11,9	6	20	17	19	10
X6512 8-1/8	8	6,5	G1/8	15	5,7	24,5	15	18	10
X6512 8-1/4	8	6	G1/4	15	6	22	17	21	10
X6512 10-1/4	10	8,3	G1/4	17,4	6	25,3	19	28	10
X6512 10-3/8	10	6,3	G3/8	17,4	6,5	23,3	22	29	10
X6512 10-1/2	10	10	G1/2	17,4	9,5	27	27	60	10
X6512 12-1/4	12	8,4	G1/4	20	6	27,4	22	40	10
X6512 12-3/8	12	9	G3/8	20	6,5	28	22	42	10
X6512 12-1/2	12	12,4	G1/2	20	9,5	31,4	27	71	10

Fittings Mod. X6500
New

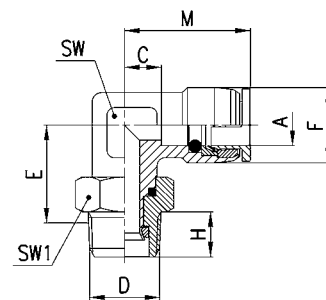
BSPT Fix Elbow



DIMENSIONS										
Mod.	A	C	D	E	F	H	M	SW	Weight (g)	Package
X6500 4-1/8	4	8	R1/8	10,5	11	8	20,5	12	22	10
X6500 6-1/8	6	9	R1/8	10,5	11,9	8	22,5	12	20	10
X6500 6-1/4	6	10	R1/4	14,7	11,9	10	23,5	12	24	10
X6500 8-1/8	8	8	R1/8	13	15	8	24	12	26	10
X6500 8-1/4	8	8	R1/4	14,6	15	10	24	12	25	10
X6500 10-1/4	10	8,5	R1/4	14	17,4	10	25,5	14	36	10
X6500 10-3/8	10	8,5	R3/8	15	17,4	10,8	25,5	14	41	10
X6500 12-1/4	12	9,5	R1/4	15	20	10	28,5	17	49	10
X6500 12-3/8	12	9,5	R3/8	16,5	20	11	28,5	17	55	10

Fittings Mod. X6520
New

BSPT Swivel Elbow

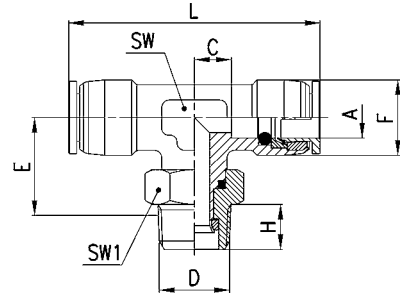


DIMENSIONS											
Mod.	A	C	D	E	F	H	M	SW	SW1	Weight (g)	Package
X6520 4-1/8	4	4	R1/8	15,3	11	8	16,7	12	12	20	10
X6520 4-1/4	4	4	R1/4	16,8	11	10	16,7	12	14	24	10
X6520 6-1/8	6	8,8	R1/8	15,3	11,9	8	22,1	12	12	24	10
X6520 6-1/4	6	7,8	R1/4	19,8	11,9	10	19,4	14	15	33	10
X6520 8-1/8	8	9,4	R1/8	18,3	15	8	25,2	14	12	41	10
X6520 8-1/4	8	9,4	R1/4	19,8	15	10	25,2	14	15	44	10
X6520 10-1/4	10	10,6	R1/4	20,6	17,4	10	27,5	17	15	57	10
X6520 10-3/8	10	10,6	R3/8	20,4	17,4	11	27,5	17	19	65	10
X6520 12-1/4	12	14	R1/4	23,6	20	10	32,8	18	15	55	10
X6520 12-3/8	12	14	R3/8	24,6	20	11	32,8	18	19	65	10
X6520 12-1/2	12	15,6	R1/2	28,1	20	13	34,4	19	22	80	10

Fittings Mod. X6430

New

BSPT Swivel Centre Tee

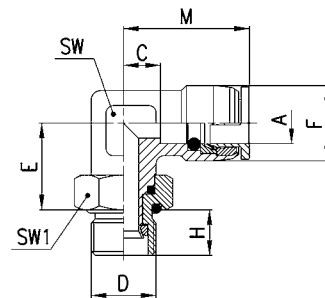


DIMENSIONS											
Mod.	A	C	D	E	F	H	L	SW	SW1	Weight (g)	Package
X6430 4-1/8	4	4	R1/8	15,3	11	8	33,4	12	12	33	10
X6430 4-1/4	4	4	R1/4	16,8	11	10	33,4	12	14	41	10
X6430 6-1/8	6	8,8	R1/8	15,3	11,9	8	44,2	12	12	33	10
X6430 6-1/4	6	7,8	R1/4	19,8	11,9	10	38,8	14	15	45	10
X6430 8-1/8	8	9,4	R1/8	18,3	15	8	50,4	14	12	46	10
X6430 8-1/4	8	9,4	R1/4	19,8	15	10	50,4	14	15	54	10
X6430 10-1/4	10	10,6	R1/4	20,6	17,4	10	55	17	15	77	10
X6430 10-3/8	10	10,6	R3/8	20,4	17,4	11	55	17	19	84	10
X6430 12-1/4	12	14	R1/4	23,6	20	10	65,6	18	15	79	10
X6430 12-3/8	12	14	R3/8	24,6	20	11	65,6	18	19	87	10
X6430 12-1/2	12	15,6	R1/2	28,1	20	13	68,8	19	22	100	10

Fittings Mod. X6522

New

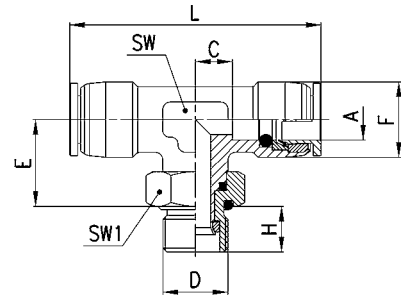
BSP Swivel Elbow



DIMENSIONS											
Mod.	A	C	D	E	F	H	M	SW	SW1	Weight (g)	Package
X6522 4-1/8	4	4	G1/8	15,3	11	6,5	16,7	12	14	22	10
X6522 4-1/4	4	4	G1/4	15,8	11	9	16,7	12	14	25	10
X6522 6-1/8	6	8,8	G1/8	15,3	11,9	6,5	22,1	12	14	26	10
X6522 6-1/4	6	7,8	G1/4	18,8	11,9	9	19,4	14	17	40	10
X6522 8-1/8	8	9,4	G1/8	18,3	15	6,5	25,2	14	14	43	10
X6522 8-1/4	8	9,4	G1/4	18,8	15	9	25,2	14	17	46	10
X6522 10-1/4	10	10,6	G1/4	19,6	17,4	9	27,5	17	17	59	10
X6522 10-3/8	10	10,6	G3/8	19,9	17,4	9	27,5	17	22	72	10
X6522 12-1/4	12	14	G1/4	22,6	20	9	32,8	18	17	63	10
X6522 12-3/8	12	14	G3/8	24,1	20	9	32,8	18	22	73	10
X6522 12-1/2	12	14	G1/2	26,6	20	9,5	32,8	18	27	83	10

Fittings Mod. X6432

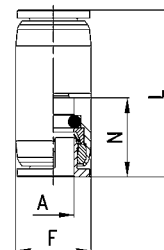
BSP Swivel Centre Tee

New

DIMENSIONS

Mod.	A	C	D	E	F	H	L	SW	SW1	Weight (g)	Package
X6432 4-1/8	4	4	G1/8	15,3	11	6,5	33,4	12	14	33	10
X6432 4-1/4	4	4	G1/4	15,8	11	9	33,4	12	14	46	10
X6432 6-1/8	6	8,8	G1/8	15,3	11,9	6,5	44,2	12	14	35	10
X6432 6-1/4	6	7,8	G1/4	18,8	11,9	9	38,8	14	17	47	10
X6432 8-1/8	8	9,4	G1/8	18,3	15	6,5	50,4	14	14	52	10
X6432 8-1/4	8	9,8	G1/4	18,8	15	9	50,4	14	17	57	10
X6432 10-1/4	10	10,6	G1/4	19,6	17,4	9	55	17	17	79	10
X6432 10-3/8	10	10,6	G3/8	19,9	17,4	9	55	17	22	91	10
X6432 12-1/4	12	14	G1/4	22,6	20	9	65,6	18	17	82	10
X6432 12-3/8	12	14	G3/8	24,1	20	9	65,6	18	22	94	10
X6432 12-1/2	12	14	G1/2	26,6	20	9,5	65,6	18	27	115	10

Fittings Mod. X6580

Union Connector

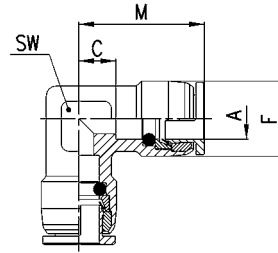
New

DIMENSIONS

Mod.	A	F	L	N	Weight (g)	Package
X6580 4	4	10	26	12,5	10	10
X6580 6	6	12	28	13,5	15	10
X6580 8	8	15	33	16	26	10
X6580 10	10	18	35,5	17	39	10
X6580 12	12	20	41	19	54	10

Fittings Mod. X6550

New

Elbow Connector



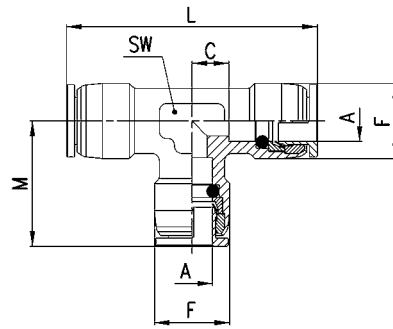
DIMENSIONS

Mod.	A	C	F	M	SW	Weight (g)	Package
X6550 4	4	8	11	20,5	12	24	10
X6550 6	6	9	11,9	22,5	12	23	10
X6550 8	8	8	15	24	12	28	10
X6550 10	10	8,5	17,4	25,5	14	42	10
X6550 12	12	9,5	20	28,5	17	58	10

Fittings Mod. X6540

New

Tee Connector



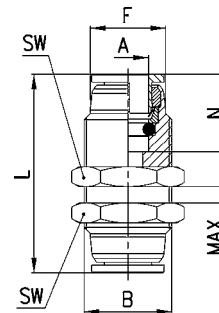
DIMENSIONS

Mod.	A	C	F	L	M	SW	Weight (g)	Package
X6540 4	4	8	11	41	20,5	12	32	10
X6540 6	6	8,5	11,9	44	22	12	33	10
X6540 8	8	9	15	50	25	14	44	10
X6540 10	10	8,5	17,4	51	25,5	17	54	10
X6540 12	12	9,5	20	57	28,5	17	80	10

Fittings Mod. X6590

New

Bulkhead Union Connector

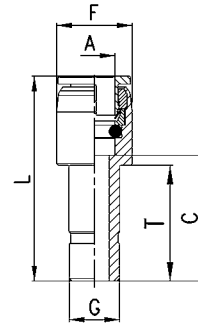


DIMENSIONS

Mod.	A	B	F	L	N	MAX	SW	Weight (g)	Package
X6590 4	4	M11X1	9,7	29	12,5	6	14	17	10
X6590 6	6	M13X1	11,6	32	13,5	8	16	29	10
X6590 8	8	M16X1	14,7	36,5	16	8	19	40	10
X6590 10	10	M19X1	17,4	42	17	11	22	62	10
X6590 12	12	M22X1	20	48	19	15	27	103	10

Fittings Mod. X6800

Reducer Tube/Stem



DIMENSIONS								
Mod.	A	C	F	G	L	T	Weight (g)	Package
X6800 4-6	4	16,5	10	6	29	15,3	7	10
X6800 4-8	4	19,5	10	8	32	17,8	10	10
X6800 6-8	6	19,5	12	8	33	17,8	11	10
X6800 6-10	6	22,5	12	10	36	20	12	10
X6800 6-12	6	23	12	12	36,5	20	19	10
X6800 8-10	8	22,5	15	10	38,5	23	14	10
X6800 8-12	8	24,5	15	12	40,5	23	21	10
X6800 10-12	10	26	18	12	45	23	27	10